

## PRECISION OPEN FACE FLAT LAPPING MACHINE



The Lapmaster Model 72 is equipped with a 1829mm diameter lap plate. This is manufactured from Grade 300 grey cast iron to ISO 185(2005). It consists of individual segments bolted to a support plate.

Outlets are provided to feed each conditioning ring via a track wire, with individual control valves.

As this machine has no worktable, the roller yokes can be adjusted vertically as well as laterally, so that the normal wearing of the plate during prolonged usage can be accommodated.

Excess compound is returned to the reservoir via a sloping drain tube. This together with the constant agitations provided by the stirrer minimises the tendency of the abrasive grains to settle out in the vehicle.

The machine is intended for use with free abrasive compounds. A dispensing system, for use with water and diamond compounds etc., can also be fitted.

Flatness of the machines lap plate, and consequently of the work, is controlled by adjusting the position of the conditioning rings relative to the lap plate track.

The model 72 uses a cruciform shaped structural steel base. The mechanical reduction gearbox is mounted at the centre of the base, with the drive motor to one side. Drive is transmitted via multiple vee belts, and the moving parts of the system are enclosed within a mesh guard. At the end of each arm of the cross are mounted hollow section upright columns.

These columns support the trough surrounding the lap plate and provide the mounting point for each of the four roller yokes.

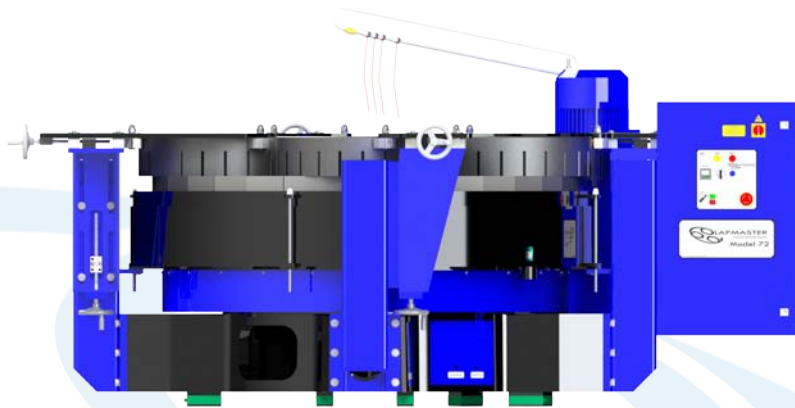
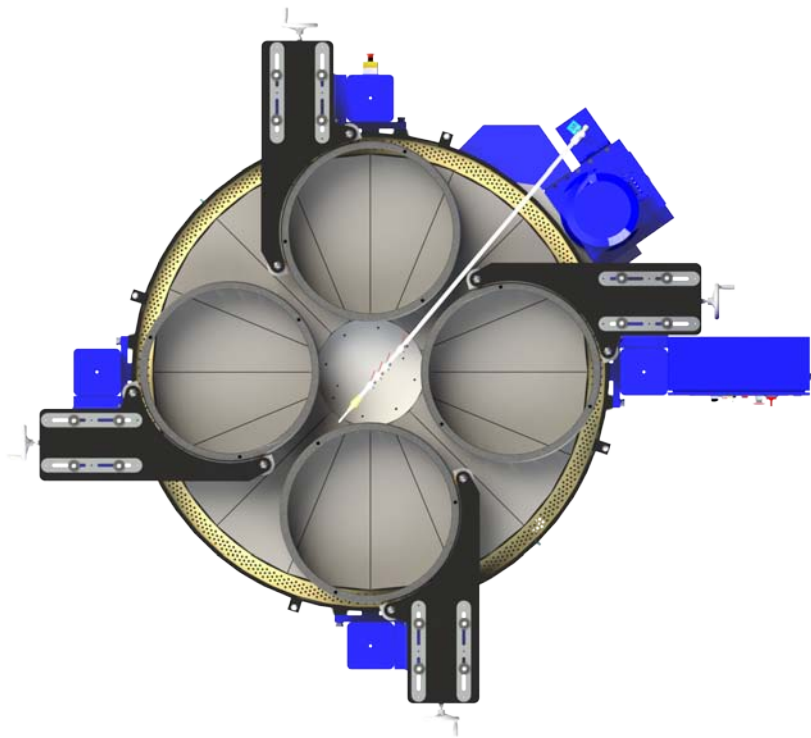
This machine is also available in a pneumatic lift version. A datasheet is available on request.

### STANDARD FEATURES

- Heavy duty floor standing base with integrally mounted drive motor, reduction gearbox, abrasive distribution system, complete with control panel.
- Four conditioning rings, with adjustable, sealed roller bearing yoke assemblies to maintain lap flatness.
- Free standing abrasive system complete with pump and driven stirrer tank with multiple point distribution.
- High torque drive unit consisting of 30kW motor and reduction gearbox. Lap plate speed 36 rpm.
- Operator controls at 100V, complies with EN 60 204.
- CE compliant.
- Electronic variable speed drive.
- Operator panel with start / stop controls, and multiple range digital process timer.
- Waste tank.

### STANDARD TOOLING

- High density, cast iron segmented (serrated) lap plate. 1829mm O.D. x 457mm I.D.
- Four high density cast iron serrated conditioning rings. 762mm O.D. x 692mm I.D.
- Four blank workholder discs.
- Operation and maintenance manual.



## OPTIONAL TOOLING

- Solid stainless steel backing plates.
- Composite faced segments.
- Polishing pads.

## OPTIONAL FEATURES

- Water cooled lap plate.
- Non-standard voltages.
- Stainless steel wetted parts.
- Peristaltic pump.
- Corporate colours.
- Fixed or light beam guarding.

## APPROXIMATE WEIGHT

- 6000 kg.

## SERVICES

- Electrical: 230/380V, 3 Phase, 50Hz.
- Air: 400 kPa / 4 bar minimum.  
(if applicable).
- Water: 100 kPa / 1 bar minimum.  
(if applicable).

**Lapmaster International Ltd**  
*International Lapping and Polishing Machine Systems*  
Lee Mill Industrial Estate, Ivybridge, Devon, PL21 9EN UK  
**T:** + 44 (0)1752 893191 **F:** + 44 (0)1752 896355 **E:** sales@lapmaster.co.uk  
www.lapmaster.co.uk

